

# **PARTS MANUAL**

---

**S135FT, S155FT  
(F024)**

**CUSTOMER EDITION**

---

***HYSTER***



**SECTIONS**

<b>1</b>	<b>FRAME</b>
<b>2</b>	<b>ENGINE GASOLINE/LPG</b>
<b>3</b>	<b>ENGINE DIESEL</b>
<b>4</b>	<b>FUEL SYSTEM</b>
<b>5</b>	<b>ELECTRICAL SYSTEM</b>
<b>6</b>	<b>TRANSMISSION</b>
<b>7</b>	<b>DRIVE AXLE</b>
<b>8</b>	<b>STEERING SYSTEM</b>
<b>9</b>	<b>BRAKE SYSTEM</b>
<b>10</b>	<b>HYDRAULIC SYSTEM</b>
<b>11</b>	<b>MAST-TWO STAGE LIMITED FREE-LIFT</b>
<b>12</b>	<b>MAST-THREE STAGE FULL FREE-LIFT</b>
<b>13</b>	<b>OPTIONS</b>
<b>14</b>	<b>FIELD CONVERSION KITS</b>
<b>15</b>	<b>NUMERICAL INDEX</b>

This Parts Manual is divided into 15 major sections which are listed above. Quick reference to these sections can be made by placing the right thumb on the tab of the desired section, bending the book back and thumbing the pages to the corresponding tab.



**Thanks very much for your reading,  
Want to get more information,  
Please click here, Then get the complete  
manual**

**JustClickHere** 

**NOTE:**

**If there is no response to click on the link above,  
please download the PDF document first, and then  
click on it.**

**Have any questions please write to me:  
[admin@servicemanualperfect.com](mailto:admin@servicemanualperfect.com)**

**TABLE OF CONTENTS**

DESCRIPTION	PAGE
<b>A</b>	
ACCUMULATOR .....	13-8
ADD ON OPTION KITS .....	14-2
ADD ON OPTIONS .....	
ADD ON TELEMETRY KITS .....	14-7
AIR CLEANER	
GM 4.3L, GASOLINE AND LPG - PSI .....	4-14
AIR FILTER .....	4-16
AIR INTAKE	
KUBOTA DIESEL .....	4-18
ALTERNATOR	
SEALED - GM 4.3L GASOLINE AND LPG .....	5-22
SEALED - KUBOTA 3.8L DIESEL .....	5-23
ALTERNATOR AND MOUNTING	
GM 4.3L LPG - PSI OPTION .....	5-24
ALTERNATOR AND PULLEY	
KUBOTA DIESEL .....	3-36
ARMREST ASSEMBLY	
MINI-LEVER MODULES - SEMI-SUSPENSION SEAT WITH HIP RESTRAINTS .....	1-40
MINI-LEVER MODULES .....	1-42
ATTACHMENT	
HANG-ON SIDE-SHIFT - FORK POSITIONER ASSEMBLY (→ S/N B513V02254K) (→ S/N B514V03281K) .....	13-18
HANG-ON SIDE-SHIFT ASSEMBLY - WITHOUT FORK POSITIONER .....	13-28
ATTACHMENT CARRIAGE	
VALVE AND HOSES (S/N B513V02255K →) (S/N B514V03282K →) .....	13-34
WITH FORK POSITIONER AND BACKREST (S/N B513V02255K →) (S/N B514V03282K →) .....	13-32
AUDIBLE ALARM KITS .....	14-7
AUXILIARY FUNCTION HOSES	
TWO AND THREE STAGE MASTS .....	13-12
AUXILIARY ONE AND TWO SECTIONS	
MANUAL CONTROL VALVE - THREE AND FOUR FUNCTION .....	10-36
AUXILIARY ONE SECTION	
ELECTRONIC CONTROLLER - THREE, FOUR AND FIVE FUNCTION .....	10-50
AUXILIARY TUBE EXTENSIONS	
THREE STAGE FULL FREE LIFT WITH SIDE SHIFT FORK POSITIONER CARRIAGE - WITHOUT QUICK DISCONNECT FITTINGS .....	13-54
THREE STAGE FULL FREE LIFT WITH SIDE SHIFT FORK POSITIONER CARRIAGE - MANUAL HYDRAULICS WITH QUICK DISCONNECT FITTINGS .....	13-56
THREE STAGE FULL FREE LIFT WITH SIDE SHIFT FORK POSITIONER CARRIAGE - E-HYDRAULICS WITH QUICK DISCONNECT FITTINGS .....	13-58
THREE STAGE FULL FREE-LIFT - WITHOUT QUICK DISCONNECT FITTINGS .....	13-48
THREE STAGE FULL FREE-LIFT - MANUAL HYDRAULICS WITH QUICK DISCONNECT FITTINGS .....	13-50
THREE STAGE FULL FREE-LIFT - E-HYDRAULICS WITH QUICK DISCONNECT FITTINGS .....	13-52
TWO STAGE LIMITED FREE-LIFT - WITHOUT QUICK DISCONNECT FITTINGS .....	13-42
TWO STAGE LIMITED FREE-LIFT - MANUAL HYDRAULICS WITH QUICK DISCONNECT FITTINGS .....	13-44
TWO STAGE LIMITED FREE-LIFT - E-HYDRAULICS WITH QUICK DISCONNECT FITTINGS .....	13-46

**TABLE OF CONTENTS (continued)**

<b>DESCRIPTION</b>	<b>PAGE</b>
AUXILIARY TWO SECTION	
ELECTRONIC CONTROL VALVE - FOUR AND FIVE FUNCTION .....	10-52
AXLE HOUSING	
LEFT HAND .....	7-6
<b>B</b>	
BACKREST	
WITH FORK POSITIONER (S/N B513V02255K →) (S/N B514V03282K →) .....	13-40
BACK-UP ALARM .....	13-2
BATTERY CABLES	
GM 4.3L GASOLINE AND LPG .....	5-16
KUBOTA DIESEL .....	5-18
BRAKE COOLING SYSTEM	
SINGLE AND DUAL PEDAL .....	9-10
BRAKE LINKAGE	
DUAL PEDAL - WET BRAKE .....	9-4
SINGLE PEDAL - WET BRAKE .....	9-2
BRAKE MASTER CYLINDER ASSEMBLY .....	9-7
BREATHER AND SEPARATOR PIPES	
KUBOTA DIESEL .....	3-55
<b>C</b>	
CAMSHAFT AND IDLE GEAR SHAFT	
KUBOTA DIESEL .....	3-26
CAMSHAFT AND OIL PAN	
GM 4.3L GASOLINE AND LPG - PSI .....	2-18
CARRIAGE	
THREE STAGE FULL FREE-LIFT .....	12-26
TWO STAGE LIMITED FREE-LIFT .....	11-16
CARRIER ASSEMBLY	
S/N B513V02255K → S/N B514V03282K → .....	13-38
CHARGE PUMP .....	6-32
CONTROL MODULE	
DIESEL INTERFACE .....	5-30
CONTROL VALVE	
THREE SPEED TRANSMISSION .....	6-16
TWO SPEED TRANSMISSION .....	6-28
CONTROL VALVE AND STEERING UNIT ASSEMBLY	
ELECTRO-HYDRAULIC - THREE FUNCTION .....	10-40
ELECTRO-HYDRAULIC - FOUR AND FIVE FUNCTION .....	10-42
MANUAL CONTROL - THREE FUNCTION .....	10-28
MANUAL CONTROL - FOUR FUNCTION .....	10-30
CONTROL VALVE LOCKOUT GROUP	
MANUAL CONTROL VALVE .....	10-32
CONVERSION KIT	
COOLING	
GM 4.3L GASOLINE AND LPG .....	2-40
KUBOTA DIESEL .....	3-4
COUNTERWEIGHT .....	1-6

**TABLE OF CONTENTS (continued)**

<b>DESCRIPTION</b>	<b>PAGE</b>
COVER BEARING CASE	
KUBOTA DIESEL .....	3-28
COWL ELECTRICAL	
ELECTRIC HYDRAULIC .....	5-10
MANUAL HYDRAULIC .....	5-12
COWL MOUNT .....	1-2
CRANKSHAFT PULLEY	
GM 4.3L GASOLINE AND LPG - PSI .....	2-12
CYLINDER BLOCK	
GM 4.3L GASOLINE AND LPG - PSI .....	2-16
KUBOTA DIESEL .....	3-16
CYLINDER HEAD	
GM 4.3L GASOLINE AND LPG .....	2-14
KUBOTA DIESEL .....	3-18
CYLINDER HEAD COVERS	
KUBOTA DIESEL .....	3-19
<b>D</b>	
DIFFERENTIAL .....	7-8
DIPSTICK	
KUBOTA DIESEL .....	3-30
DISTRIBUTER AND COIL	
GM 4.3L GASOLINE AND LPG - PSI .....	2-27
DISTRIBUTOR ASSEMBLY	
GM 4.3L LPG AND GASOLINE .....	5-33
DRIVE AXLE AND ATTACHING PARTS	
WET BRAKE .....	7-2
DRIVE AXLE HOUSING AND HUB .....	7-4
DRIVE TIRE AND WHEEL .....	7-12
<b>E</b>	
EGR VALVE AND COOLER	
KUBOTA DIESEL .....	3-48
EGR VALVE FLANGE	
KUBOTA DIESEL .....	3-46
E-HYDRAULIC CONTROL CONVERSION KITS .....	14-5
ELECTRICAL MOUNTING PLATE AND LIFTING EYE	
GM 4.3L GASOLINE - PSI OPTION .....	2-32
GM 4.3L LPG - PSI .....	2-31
ELECTRICAL SYSTEM	
RIGHT HAND CHASSIS .....	5-8
ELECTRO HYDRAULIC POPPET VALVE	
ELECTRONIC CONTROL VALVE - THREE, FOUR, AND FIVE FUNCTION .....	10-48
ENGINE CONTROL MODULE AND SENSORS	
GM 4.3L LPG - PSI OPTION .....	5-26
GM 4.3L GASOLINE - PSI OPTION .....	5-28
ENGINE ELECTRICAL SYSTEM	
GM 4.3L GASOLINE AND LPG - PSI OPTION .....	5-6
KUBOTA 3.8L DIESEL .....	5-4



## TABLE OF CONTENTS (continued)

DESCRIPTION	PAGE
ENGINE MOUNTING	
GM 4.3L GASOLINE AND LPG .....	2-2
ENGINE MOUNTING AND TORQUE CONVERTER .....	3-12
EXHAUST MANIFOLD	
KUBOTA DIESEL .....	3-45
EXHAUST MANIFOLDS	
GM 4.3L LPG AND GASOLINE - PSI .....	2-24
EXHAUST SYSTEM	
GM 4.3L LPG - OVERHEAD EXHAUST OPTION .....	2-34
GM 4.3L LPG - COUNTERWEIGHT EXHAUST OPTION .....	2-36
KUBOTA DIESEL - OVERHEAD EXHAUST OPTION .....	3-8
KUBOTA DIESEL - COUNTERWEIGHT EXHAUST OPTION .....	3-10
EXHAUST WRAPS	
GM 4.3L GASOLINE AND LPG .....	2-38
<b>F</b>	
FAN ASSEMBLY	
GM 4.3L GASOLINE AND LPG - PSI .....	2-6
FAN MOUNT ASSEMBLY	
GM 4.3L LPG AND GASOLINE - PSI .....	2-4
FAN PULLY	
KUBOTA DIESEL .....	3-15
FIRE EXTINGUISHER .....	13-6
FLOORPLATES AND COVERS .....	1-8
FLYWHEEL AND HOUSING	
GM 4.3L GASOLINE AND LPG .....	2-8
KUBOTA DIESEL .....	3-14
FORK POSITIONER ASSEMBLY	
S/N B513V02255K → S/N B514V03282K → .....	13-36
FORKS	
STANDARD TAPER - CLASS IV .....	1-15
FORWARD CLUTCH HIGH AND OUTPUT SHAFT	
THREE SPEED TRANSMISSION - FWD2 .....	6-12
FORWARD CLUTCH LOW	
TWO SPEED TRANSMISSION .....	6-26
FORWARD CLUTCH LOW AND SECOND SHAFT	
THREE SPEED TRANSMISSION - FWD1, RANGE2 .....	6-10
FREE-LIFT	
THREE STAGE FULL FREE-LIFT (→ 12/2013) .....	12-20
THREE STAGE FULL FREE-LIFT (1/2014 →) .....	12-22
FREE-LIFT CYLINDER	
THREE STAGE FULL FREE-LIFT .....	12-24
FUEL CAP .....	4-12
FUEL INJECTION PUMP	
KUBOTA DIESEL .....	3-31
FUEL RAIL	
KUBOTA DIESEL .....	3-35
FUEL SENDER AND ATTACHING PARTS	
GM 4.3L GASOLINE - PSI OPTION .....	4-10

**TABLE OF CONTENTS (continued)**

<b>DESCRIPTION</b>	<b>PAGE</b>
<b>FUEL SYSTEM</b>	
GM 4.3L LPG .....	4-4
GM 4.3L GASOLINE - PSI OPTION .....	4-2
KUBOTA DIESEL .....	4-6
<b>FULL SUSPENSION SEAT</b>	
MANUAL AND ELECTRO-HYDRAULIC — SWIVEL AND NON SWIVEL - SHEET 1 OF 4 .....	1-32
RECLINER AND DAMPER KITS - SHEET 2 OF 4 .....	1-34
SERVICE KITS FOR NON SWIVEL AND SWIVEL - SHEET 3 OF 4 .....	1-36
<b>FUSE BOX</b>	
GM 4.3L LPG - PSI OPTION .....	5-32
<b>G</b>	
<b>GEAR CASE</b>	
KUBOTA DIESEL .....	3-22
<b>GEAR PUMP</b> .....	10-18
<b>GEAR PUMP ASSEMBLY</b> .....	10-16
<b>H</b>	
<b>HAND LEVERS</b>	
FOUR FUNCTION - WITH DETENTED LEVERS .....	10-24
FOUR FUNCTION - WITHOUT DETENTED LEVERS .....	10-26
THREE FUNCTION - WITH DETENTED LEVERS .....	10-20
THREE FUNCTION - WITHOUT DETENTED LEVERS .....	10-22
<b>HANG-ON SIDE-SHIFT CARRIAGE AND HOSES</b>	
WITH BACKREST AND FORK POSITIONER (S/N B513V02255K →) (S/N B514V03282K →) .....	13-26
WITH FORK POSITIONER (→ S/N B514V03281K) (→ S/N B513V02254K) .....	13-16
WITHOUT FORK POSITIONER .....	13-24
<b>HEADER HOSE AND ATTACHING PARTS</b>	
THREE STAGE FULL FREE-LIFT - 147.2 INCH LIFT-HEIGHT .....	12-28
THREE STAGE FULL FREE-LIFT - 182.7-218.1 INCH LIFT-HEIGHT .....	12-32
<b>HEADER HOSE CONVERSION KITS</b>	
<b>HEADER HOSES</b>	
TWO STAGE LIMITED FREE-LIFT .....	11-18
<b>HOIST HOSE AND ATTACHING PARTS</b>	
→ S/N F024V01703K .....	10-10
S/N F024V01704K → .....	10-11
<b>HOOD ASSEMBLY</b> .....	1-12
<b>HYDRAULIC FILTER</b> .....	10-8
<b>HYDRAULIC HOSES</b>	
STEERING .....	10-6
<b>HYDRAULIC SUPPLY AND RETURN</b> .....	10-2
<b>I</b>	
<b>INJECTION PIPE</b>	
KUBOTA DIESEL .....	3-33
<b>INJECTOR HARNESS</b>	
KUBOTA DIESEL .....	3-40
<b>INLET AND EXHAUST VALVES</b>	
KUBOTA DIESEL .....	3-20

**TABLE OF CONTENTS (continued)**

<b>DESCRIPTION</b>	<b>PAGE</b>
INNER MAST	
THREE STAGE FULL FREE-LIFT .....	12-6
TWO STAGE LIMITED FREE-LIFT .....	11-4
INSTRUMENT CLUSTER .....	5-35
INTAKE AIR FUEL MODULE	
GM 4.3L GASOLINE .....	2-22
INTAKE MANIFOLD	
KUBOTA DIESEL .....	3-44
INTERMEDIATE MAST	
THREE STAGE FULL FREE-LIFT .....	12-4
<b>L</b>	
LABELS	
CONTROL LEVERS .....	1-22
EXTERIOR .....	1-18
INTERIOR .....	1-20
MINI LEVER MODULES - SINGLE FUNCTION .....	1-24
MINI-LEVER MODULES - DUAL FUNCTION .....	1-26
LIGHT KITS .....	14-6
LIGHTS	
WORK, REAR DRIVE, AND BRAKE/TAIL .....	5-14
LOAD BACKREST EXTENSION .....	1-16
LOAD WEIGH ELECTRICAL .....	5-42
LPG CONVERTER	
GM 4.3L LPG - PSI OPTION .....	4-23
LPG LOCK OFF	
GM 4.3L - PSI OPTION .....	4-24
LPG REGULATOR AND MIXER	
GM 4.3L - PSI OPTION .....	4-22
LPG TANK BRACKET	
SWING OUT (→ 6/2014) .....	4-26
SWING OUT (6/2014 →) .....	4-28
SWING OUT/ DROP DOWN (→ 6/2014) .....	4-30
SWING OUT/ DROP DOWN (6/2014 →) .....	4-32
<b>M</b>	
MAIN LIFT	
THREE STAGE FULL FREE-LIFT (→ 12/2013) .....	12-8
THREE STAGE FULL FREE-LIFT (1/2014 →) .....	12-12
TWO STAGE LIMITED FREE-LIFT (→ 12/2013) .....	11-6
TWO STAGE LIMITED FREE-LIFT (1/2014 →) .....	11-10
MAIN LIFT CYLINDER	
THREE STAGE FULL FREE-LIFT .....	12-16
TWO STAGE LIMITED FREE-LIFT .....	11-14
MAST ELECTRICAL .....	5-44
MID INLET SECTION	
MANUAL AND ELECTRONIC CONTROL VALVE - THREE, FOUR AND FIVE FUNCTION .....	10-39
MINI-LEVER CONTROLS	
WITH ARMREST - THREE FUNCTION .....	5-36

**TABLE OF CONTENTS (continued)**

<b>DESCRIPTION</b>	<b>PAGE</b>
WITH ARMREST - FOUR FUNCTION .....	5-38
WITH ARMREST - FIVE FUNCTION .....	5-40
MIRRORS .....	13-4
MISCELLANEOUS CONVERSION KITS .....	14-2
MONOTROL PEDAL ASSEMBLY → S/N F024V01743K .....	4-36
<b>N</b>	
NON SUSPENSION SEAT WITHOUT ELECTRONIC CONTROLS .....	1-28
<b>O</b>	
OIL COOLER KUBOTA DIESEL .....	3-53
OIL PAN KUBOTA DIESEL .....	3-29
OIL PUMP GM 4.3L GASOLINE AND LPG .....	2-28
OIL SEPARATOR KUBOTA DIESEL .....	3-54
OUTER MAST THREE STAGE FULL FREE-LIFT .....	12-2
TWO STAGE LIMITED FREE-LIFT .....	11-2
OUTLET SECTION ELECTRONIC CONTROL VALVE - THREE, FOUR, AND FIVE FUNCTION WITH ANTI-STALL SOLENOID .....	10-54
MANUAL CONTROL VALVE - THREE AND FOUR FUNCTION .....	10-38
OUTPUT SHAFT TWO SPEED TRANSMISSION .....	6-24
OVERHEAD GUARD .....	1-4
<b>P</b>	
PARK BRAKE ASSEMBLY .....	9-8
PISTON AND CRANKSHAFT KUBOTA DIESEL .....	3-24
POWER DISTRIBUTION MODULE .....	5-46
PRE-CLEANER AND MOUNT DIESEL .....	4-17
PRESSURE REGULATOR .....	13-14
PULLEY AND TENSIONER GM 4.3L GASOLINE AND LPG - PSI .....	2-10
PUMP DRIVE .....	6-34
<b>R</b>	
RADIATOR ASSEMBLY KUBOTA DIESEL .....	3-6
REMOTE KEY SWITCH .....	5-48
REPLACEMENT KITS REVERSE CLUTCH TWO SPEED TRANSMISSION .....	6-22

## TABLE OF CONTENTS (continued)

DESCRIPTION	PAGE
REVERSE CLUTCH AND FIRST SHAFT THREE SPEED TRANSMISSION - REV1, RANGE 1 .....	6-14
ROCKER ARM SHAFT KUBOTA DIESEL .....	3-21
<b>S</b>	
SEAT ATTACHING PARTS NOT INCLUDED WITH SEAT - SHEET 4 OF 4 .....	1-38
SEATS SEMI SUSPENSION SEAT - MANUAL AND ELECTRO-HYDRAULIC .....	1-30
SENSORS KUBOTA DIESEL .....	3-39
SIDE-SHIFT ASSEMBLY WITH FORK POSITIONER (→ S/N B514V03281K) (→ S/N B513V02254K) .....	13-20
SIDESHIFT CYLINDER WITH AND WITHOUT FORK POSITIONER .....	13-30
SIDE-SHIFT CYLINDER WITH FORK POSITIONER (→ S/N B513V02254K) (→ S/N B514V03281K) .....	13-22
SPARK PLUGS AND WIRES GM 4.3L LPG - PSI OPTION .....	5-25
STARTER GM 4.3L LPG .....	5-20
KUBOTA DIESEL .....	3-38
STATIC STRAP INSTALLATION .....	1-14
STEER AXLE .....	8-12
STEER CONTROL UNIT .....	8-8
STEER CYLINDER .....	8-14
STEER TIRE AND WHEEL .....	8-10
STEERING COLUMN AND ATTACHING PARTS DIESEL .....	8-3
GASOLINE AND LPG .....	8-2
STEERING COLUMN ASSEMBLY DIESEL .....	8-6
GASOLINE AND LPG .....	8-4
STROBE LIGHT (LED) .....	13-10
<b>T</b>	
THERMOSTAT AND WATER OUTLET HOUSING GM 4.3L GASOLINE - PSI OPTION .....	2-26
GM 4.3L LPG - PSI OPTION .....	2-25
THROTTLE BODY GM 4.3L LPG - PSI OPTION .....	4-21
GM 4.3L GASOLINE .....	4-20
THROTTLE PEDAL AND ATTACHING PARTS MONOTROL PEDAL (→ S/N F024V01743K) .....	4-34
THROTTLE PEDAL ASSEMBLY AND ATTACHING PARTS MONOTROL (S/N F024V01744K →) .....	4-40
STANDARD PEDAL .....	4-38
TILT CYLINDER AND MAST INSTALLATION .....	10-56

**TABLE OF CONTENTS (continued)**

<b>DESCRIPTION</b>	<b>PAGE</b>
TILT CYLINDERS .....	10-58
TILT HYDRAULICS .....	10-12
TILT SECTION	
ELECTRONIC CONTROL VALVE - THREE, FOUR AND FIVE FUNCTION .....	10-46
TORQUE CONVERTER	
GM 4.3L GASOLINE AND LPG .....	6-30
TRANSMISSION ASSEMBLY	
THREE SPEED - SHEET 1 OF 2 .....	6-6
THREE SPEED - SHEET 2 OF 2 .....	6-8
TWO SPEED - SHEET 1 OF 2 .....	6-18
TWO SPEED - SHEET 2 OF 2 .....	6-20
TRANSMISSION COOLING LINES	
GM 4.3L LPG .....	6-3
KUBOTA DIESEL .....	6-2
TRANSMISSION ELECTRICAL SYSTEM	
THREE SPEED TRANSMISSION .....	5-52
TWO SPEED TRANSMISSION .....	5-50
TRANSMISSION MOUNT .....	6-4
TURBO CHARGER OIL PIPE	
KUBOTA DIESEL .....	3-52
TURBOCHARGER	
KUBOTA DIESEL .....	3-50
<b>V</b>	
VALVE ASSEMBLY, LIFT AND LOWER	
ELECTRONIC CONTROL VALVE - THREE, FOUR AND FIVE FUNCTION .....	10-44
VALVE ASSEMBLY, LIFT AND TILT	
MANUAL CONTROL VALVE - THREE AND FOUR FUNCTION .....	10-34
VALVE COVER AND INLET MANIFOLD	
GM 4.3L GASOLINE AND LPG - PSI .....	2-20
VENT LINES .....	10-14
<b>W</b>	
WATER BYPASS	
GM 4.3L GASOLINE - PSI .....	2-30
WATER PUMP	
KUBOTA DIESEL .....	3-42
WATER PUMP FLANGE AND THERMOSTAT	
KUBOTA DIESEL .....	3-43
WET BRAKE ASSEMBLY .....	7-10
WIRE HARNESS	
ADAPTER - LOW FUEL PRESSURE .....	5-54
ALTERNATOR TO BATTERY DISCONNECT SWITCH - KUBOTA 3.8L DIESEL .....	5-56
ALTERNATOR TO STARTER - KUBOTA 3.8L DIESEL .....	5-58
ELECTRONIC CONTROL VALVE - THREE FUNCTION .....	5-76
ELECTRONIC CONTROL VALVE - FOUR FUNCTION .....	5-78
ELECTRONIC CONTROL VALVE - FIVE FUNCTION .....	5-80
ENGINE - KUBOTA 3.8L DIESEL .....	5-86
LEFT HAND CHASSIS - GM 4.3L LPG (WITHOUT PREMIUM LOW FUEL SENSOR) .....	5-92

**TABLE OF CONTENTS (continued)**

<b>DESCRIPTION</b>	<b>PAGE</b>
LIGHTS - WITH OVERHEAD GUARD .....	5-94
RIGHT HAND CHASSIS .....	5-96
SEALED ALTERNATOR - GM 4.3L GASOLINE AND LPG .....	5-102
TRANSMISSION - TWO SPEED .....	5-104
TRANSMISSION - THREE SPEED .....	5-106
WIRE HARNESS (ENGINE)	
GM 4.3L LPG - PSI OPTION .....	5-82
WIRE HARNESS BRACKET	
KUBOTA DIESEL .....	3-41
WIRE HARNESS-COWL	
ELECTRO-HYDRAULICS WITH FORWARD/REVERSE - WITH HYDRAULIC PUMP SOLENOID .....	5-64
ELECTRO-HYDRAULICS WITH MONOTROL PEDAL - WITH HYDRAULIC PUMP SOLENOID .....	5-60
MANUAL HYDRAULICS WITH FORWARD/REVERSE - WITH HYDRAULIC PUMP SOLENOID .....	5-72
MANUAL HYDRAULICS WITH MONOTROL PEDAL - WITH HYDRAULIC PUMP SOLENOID .....	5-68

**ABBREVIATIONS QUICK REFERENCE SHEET**

Listed below are abbreviations used in parts manuals to denote the following expressions:

<b>TERM</b>	<b>DEFINITION</b>	<b>TERM</b>	<b>DEFINITION</b>
Amp	Amperes	FRE	Freezer Environment
AR	As Required	in.	inches
BDI	Battery Discharge Indicators	LPG	Liquefied Petroleum Gas
BWI	Brush Wear Indicator	MAP	Manifold Absolute Pressure
CE	Communicator End	mm	millimeters
CRE	Corrosive Environment	MSTS	Microprocessor Spark Timing System
D/B	Date Break	NPT	National Pipe Threads
dbA	Decibel "A" Scale	O/S	Oversize
DE	Drive End	PTO	Power Take Off
ECH	Empty Container Handler	RPM	Revolutions per Minute
ECH-3	Empty Container Handler - 3 High Stacking	S/N	Serial Number
ECH-4	Empty Container Handler - 4 High Stacking	TMM	Truck Management Module
ECH-5	Empty Container Handler - 5 High Stacking	UL Type D	Diesel-Powered Safety Rating
ECH-6	Empty Container Handler - 6 High Stacking	UL Type DS	Diesel-Powered Safety Rating
ECH-7	Empty Container Handler - 7 High Stacking	UL Type E	Battery-Powered Safety Rating
ECM	Electronic Control Module	UL Type EE	Battery-Powered Safety Rating
ECN	Engineering Change Notice	UL Type ES	Battery-Powered Safety Rating
EEPROM	Electrically Erasable Programmable Read Only Memory	UL Type G	Gasoline-Powered Safety Rating
EPA	US Environmental Protection Agency	UL Type GS	Gasoline-Powered Safety Rating
EPROM	Electrically Programmable Read Only Memory	UL Type LP	Gas-Powered Safety Rating
		UL Type LPS	LP Gas-Powered Safety Rating
		U/S	Undersize
		UL	Underwriters Laboratory
		V	Volts



## HOW TO USE THE ILLUSTRATED PARTS MANUAL

This parts manual describes and illustrates assemblies, subassemblies, and detail parts needed for service replacement.

The different constructions are indicated by keys and footnotes. The callouts correspond to descriptions found on the next page.

**HYSTER** UNIT CODE D001 NORTH AMERICA 06/2001

**TABLE OF CONTENTS**

DESCRIPTION	PAGE
AIR INTAKE AND FILTER DIESEL (⇒ D/B 11/98)	3-22
AIR INTAKE AND FILTER DIESEL (D/B 11/96 ⇒)	
AIR INTAKE AND FILTER GASOLINE AND LPG	
ALTERNATOR GASOLINE, LPG, AND DIESEL	
ALTERNATOR TYPES GS, LPS, AND DS	
AUXILIARY FUNCTION TUBE TWO AND THREE STAGE FULL F	

**SECTION 13 NUMERICAL INDEX**

PART NO.	PAGE NO.	ITEM NO.	PART NO.	PAGE NO.	ITEM NO.	PART NO.	PAGE NO.	ITEM NO.	PART NO.	PAGE NO.	ITEM NO.
142	3-4	19	10-13	25		11-27	29	12-31	12		
12445	3-32	19	10-17	6		11-31	25	16719	3-36	5	
	3-34	1	10-27	11		11-32	37	16751	3-16	27	
			11	11		9-7	9	16849	3-34	21	
			12	6	16485	8-4	29		3-38	20	
			14	13		8-4	45	16863	3-28	17	
			16	6		8-8	34	16865	3-6	18	
			17	17		9-7	9		4-27	41	
			19	10		9-11	17	16882	9-7	30	
			23	46		10-9	21		9-11	27	
			27	46		10-9	28		10-10	36	
			28	14		10-9	28		10-13	32	
			26	14		10-13	16		11-7	24	
			28	14		11-7	19		11-9	17	
			30	14							

**SECTIONS**

- FRAME
- ELECTRICAL SYSTEM
- 
- 
- BRAKE/ACC
- 
- MAST-TWO STAGE
- MAST-THREE STAGE
- MAST-TWO STAGE
- 
- 

**TRANSMISSION HOUSING** ⇒ S/N D001H-2628

KEY:  
A: Diesel  
B: Gasoline and LPG

ITEM	PART NO.	DESCRIPTION	QTY	
			A	B
		Transmission	1	1
	2022547	Transmission	1	1
	2023329	Case	2	2
1	2021670	Bearing Cap	4	4
2	2023418	Washer	1	1
3	296429	Bolt	2	2
4	293947	Cover	2	2
5	2021390	Colter Pin	4	4
6	1371656	O-Ring	1	1
7	2021329	Plug	4	4
8	2021915	Housing	22	22
9	2021675	Pin	39	39
10	2021336	Bolt	1	1
11	287860	Lockwasher	1	1
12	292682	Hydraulic Pump	1	1
13		⇒ Figure 5-3		
14	2021345	Gasket	1	1
15	214364	Bolt	8	8
16	296418	Washer	1	1
17	2021388	Temperature Switch	1	1
18	2021389	Breather	9	9
19	2021383	Dipstick	9	9
20	292515	Bolt	2	2
21	136692	Nut	3	3
22	292527	Bolt	3	2
23	292531	Capscrew	4	4
24	292583	Lockwasher	4	4
25	293637	Bolt	1	1
26	296420	Washer	1	1
	996403	Transmission Kit (Includes Item 7)		
	996405	Transmission Kit (Includes Item 14)		

This Parts Manual is divided into 11 major sections which are listed above. Quick reference can be made by placing the right thumb on the tab of the desired section, bending the pages to the corresponding tab.

© Copy Right Date HYSTER COMPANY See Service Manual for service procedures. 5-15

HP990004

## HOW TO FIND THE DESIRED PART NUMBER

### WHEN THE PART NUMBER AND THE NEXT HIGHER ASSEMBLY IS NOT KNOWN:

1. Determine the function and application of the part required. Turn to the Sections Page. Choose the general area of reference most likely to include the part.
2. Turn to the section you chose. Use the Section Table of Contents to determine the assembly which would normally contain the part required. Then locate the part on the assembly breakdown page.

### WHEN THE PART NUMBER IS NOT KNOWN AND THE NEXT HIGHER ASSEMBLY IS KNOWN:

3. Determine the assembly the required part is used on. Turn to the Table of Contents (Page i).
4. Locate the assembly the required part is used on and turn to the page indicated for that assembly. Then locate the part on the assembly breakdown page.

### WHEN THE PART NUMBER IS KNOWN:

5. Use the Numerical Index (Page 15-1) to find the part number. Turn to the page listed and locate the part as indicated by the item number.

### GENERAL:

The assembly breakdowns include part numbers, descriptions, quantities required, keys and footnotes to help in selecting correct parts.

6. Parts Supersession Information. Part numbers that have this history will be displayed in the parts list in the order that they were superseded (from oldest to newest). The superseded part numbers will be shown with a line through them.

Five periods in the PART NO. column (. . . . .) indicate that the part is either *Not Serviced Separately* or there is a reference to another figure. A figure reference is denoted by a pointing hand followed by a figure number in the DESCRIPTION column (☞ Figure 10)

7. Keys are used to show two or more similar assemblies, RH and LH assembly parts, etc. Select the appropriate key, "A", "B", "C", "D", or "E" and the corresponding quantity column to find the required parts. Two periods in the QTY column (..) indicate that the part is not used for that assembly.
8. Indented descriptions under the DESCRIPTION column are used to indicate assemblies and

subparts of assemblies. In the example on the previous page, *BEARING CAP* (Item 2) is a subpart of the major assembly *CASE*.

9. Quantities shown are for one assembly. The quantities of the subpart *BEARING CAP* are indicated as two and two. This means two per *CASE* assembly.
10. Serial number breaks identify the most current parts information and are shown as follows:
  - **S/N D001H2628**  
Indicates last serial number affected.
  - S/N D001H2629** →  
Indicates the first serial number affected.
  - S/N D001H1553** ↔ **S/N D001H3291**  
Indicates a range of serial numbers affected.

ECN numbers for pending serial numbers are shown to allow for the inclusion of the most current parts information and are identified as follows:

→ **S/N Pending Per ECN 63243**

Indicates a pending serial number for last unit affected.

**S/N Pending Per ECN 63243** →

Indicates a pending serial number for first unit affected.

Date breaks are used to indicate when a change occurred but a subsequent serial number break was not recorded. This is an arbitrary date usually based on the ECN release and are identified as follows:

→ **D/B 3/00**

Indicates that a change occurred sometime within that month for the item affected.

**D/B 3/00** →

Indicates that a change occurred sometime within that month for the item affected.

**D/B 3/00** ↔ **D/B 4/00**

Indicates a range of production dates of the item affected.

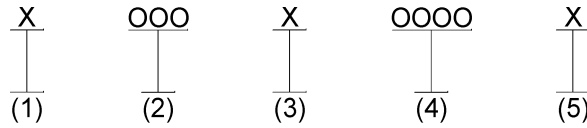
Contact your local dealer for Hyster lift trucks for serial number information for items with a ECN or a date break.

### ORDERING PARTS:

When ordering replacement parts, give the unit serial number, part number, name of part and quantity required.

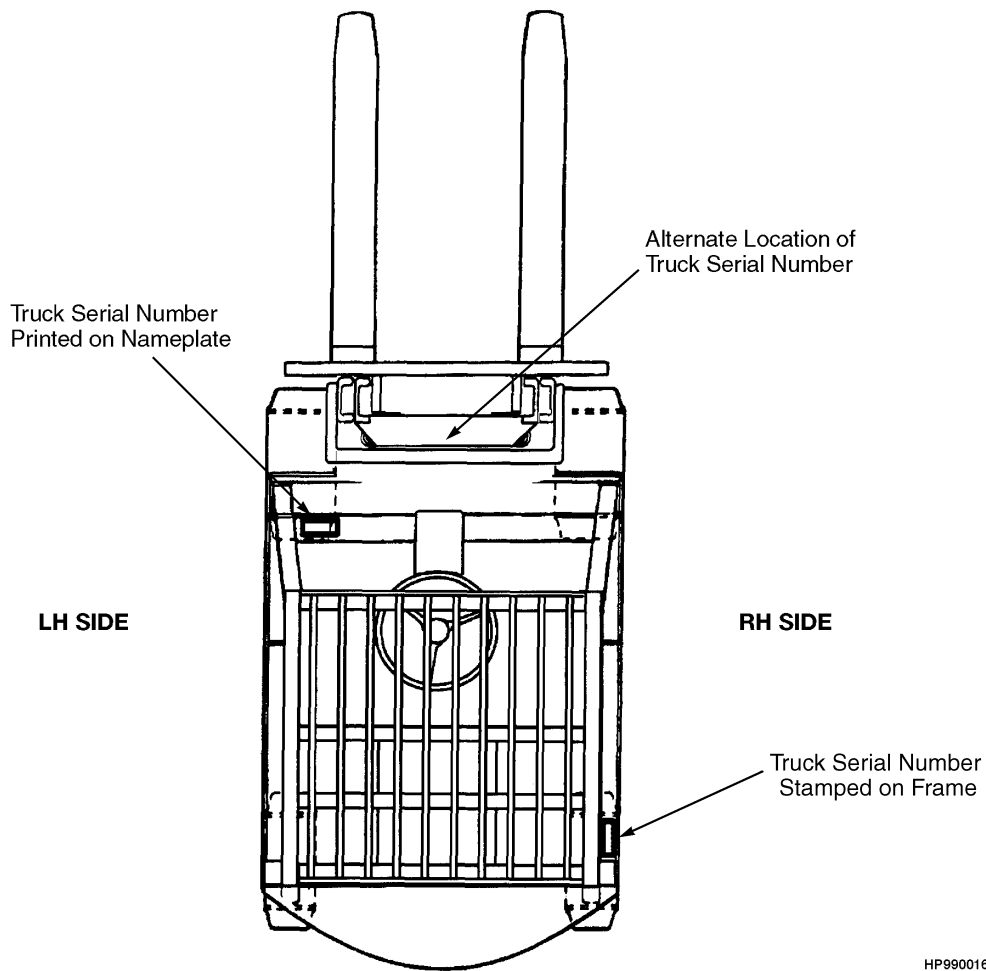
For any further information on parts, service, or ordering, consult your local dealer for Hyster lift trucks.

## IDENTIFICATION OF TRUCK SERIAL NUMBERS



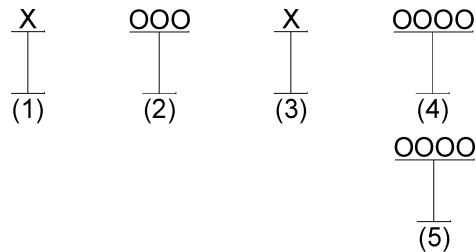
- (1) and (2) The first letter and three numbers indicate the truck unit code.
- (3) The second letter indicates the plant of manufacture.
- (4) The four or five digit number indicates the production sequence number of the truck.
- (5) The final letter indicates the year of manufacture starting with "A" in 1957, 1980, and 2003. The letters "I", "O", and "Q" will not be used.

For pending serial numbers contact your local dealer for Hyster lift trucks.



HP990016

Parts referred to in this book as right or left hand parts are in accordance with the illustration above.

**IDENTIFICATION OF MAST SERIAL NUMBERS**

- (1) and (2) The first letter and number indicates the mast unit code.
- (3) The second letter indicates the plant of manufacture.
- (4) The four or five digit number indicates the production sequence number of the mast.
- (5) Carriage travel in millimeters stamped just below the serial number.

Mast Group identification consists of mast unit code (1) and (2) plus carriage travel (5).

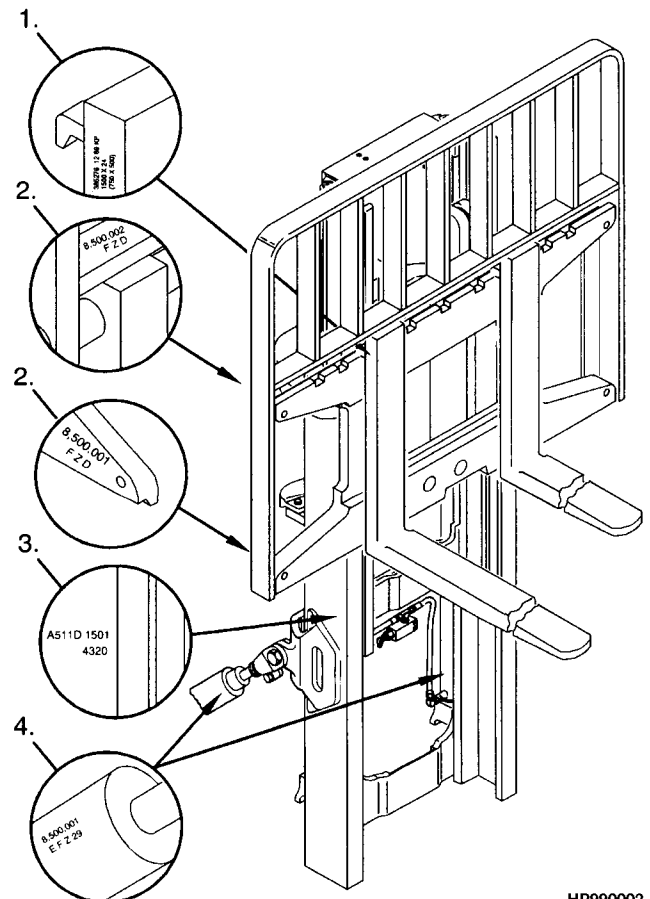
For pending production sequence numbers contact your local dealer for Hyster lift trucks.

**LIFT EQUIPMENT IDENTIFICATION**

1. Fork part number, capacity rating, plant code letter, and date of manufacture are stamped approximately six inches below the top of most forks.
2. The carriage group number is stamped on the right hand side of the top crossmember (pin type) or on the back of the right hand end of the bottom crossmember (hook type). A date code has two letters in line with or below the carriage group number.
3. The mast identification number has a unit code, a letter indicating the plant of manufacture, and a serial number. Underneath the production sequence number is a four digit number that indicates the carriage travel in millimeters.
4. Tilt and lift cylinder group numbers are stamped on the cylinder shell.

Always refer to the group, serial, or part number when ordering service parts.

Modification of masts and carriages by SPED (Special Products Engineering Department) are identified by a model prefix code beginning with the letter "S". contact your dealer for Hyster lift trucks for information on these assemblies.



HP990002